



## Isokinetic Heated Probes

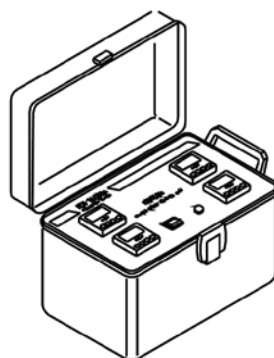
# ISOTERM Thermoregulator Units

The ISOTERM thermoregulation devices are available in three different configurations that provide 1, 2 or 4 outputs.

Through the electronic PID regulators it is possible to measure and control the heated temperature in a precise and effective way.

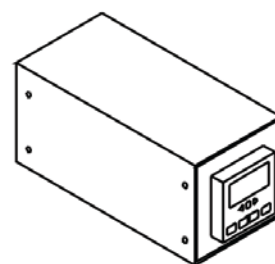
The connections are unified to allow the widest versatility of use.

In the 2 and 3 output models it is possible to insert alarm thresholds that activate a built-in sound and visual signal.



Isoterm 4

P/N AC99-090-0090SP

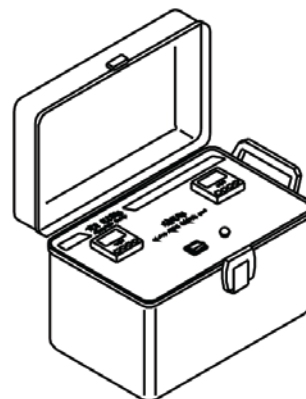


Isoterm 1

P/N AC99-090-0093SP

With these units it is possible to control:

- ⊙ Heated Probes
- ⊙ External Filterholder box at the stack
- ⊙ Heated Sampling Lines
- ⊙ Wet Gas Meter



Isoterm 2

P/N AC99-090-0094SP

Length

P/N

4 m

AC99-090-0091SP

8 m

AC99-090-0092SP

